

READING AND SETTING THERMOMETERS

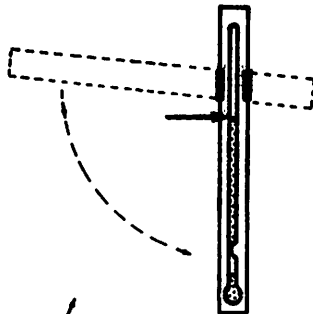
1. Minimum Temperature -

Read right end of index in minimum thermometer.

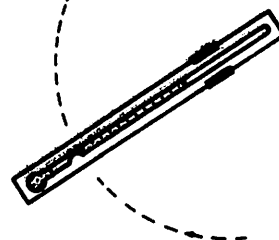


2. Maximum Temperature -

Unlock and slowly lower maximum thermometer; then read top of mercury column.



3. Whirl maximum thermometer until its reading agrees (within 1°) with reading at top of alcohol column of minimum thermometer. When the two thermometers differ by more than 1°, report the condition to the supervising office.



4. Temperature at Observation -

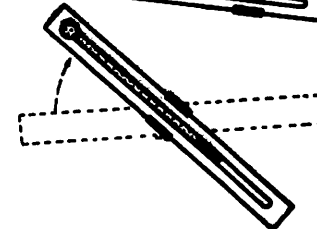
Read this temperature from the maximum after it has been whirled.



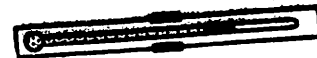
5. Lock the maximum thermometer in its "set" position.



6. Invert minimum until index drops to end of alcohol column.



7. Return minimum to its nearly horizontal position.



8. Close the instrument shelter.

REPRINT FROM WEATHER SERVICE
OBSERVING HANDBOOK NO. 2
WS TA B-0-16
(2-90)

NOTE: Thermometers should be "set" only once each day at regular observation time.

U.S. DEPARTMENT OF COMMERCE
NOAA-NATIONAL WEATHER SERVICE

★U. S. GOVERNMENT PRINTING OFFICE: 1996-756-319